

## Materials included in INVISI-ball Wall Mount

### package:

- INVISI-ball Mounting bracket - 1
- INVISI-ball laces wire (long) - 1
- INVISI-ball laces wire (short) - 1
- INVISI-band (clear) - 1
- Drywall mount - 2
- Screws - 2



# INVISI-BALL® WALL MOUNT

...keeps your eye on the ball!®

US FOOTBALL  
NFL / COLLEGE FOOTBALLS

## Mounting Instructions



**INSTRUCTIONAL VIDEO:** <https://www.youtube.com/watch?v=Do0AQGzoDPs>

**TOOLS NEEDED:** Tape measure, Pencil, Power Drill, Screwdriver, 3/16" drill bit, Hammer

**NOTE:** For optimum mounting results, please keep all balls properly inflated.

### Mounting Instructions for INVISI-ball Wall Mount (Option 1)

**Hanging a football in the horizontal plane** – see Fig. 1.

\*\*\* most collectible footballs will be hung in this fashion \*\*\*

**Step 1:** Find a desired location where you would want to mount the football on the wall.

**Step 2:** Place the INVISI-ball wall mount component against the wall at the desired position including desired height from floor. Please note that the wall mount component must be facing in the "UP" direction as noted on the wall mount. Optionally, a stud sensor may be used to locate a wood stud to reduce the need for a dry wall anchor.

**Step 3:** Mark with a pencil the desired location for your football to be hung.

**Step 4:** If applying screws directly through the wall and into a stud, drill a small pilot hole to help guide the screw into the wall/stud. If using the drywall anchors - take a 3/16" (5mm) drill bit and drill a hole where the pencil marks have been made in step 3 and add drywall anchors. Taking a hammer and lightly tapping the anchors flush with the wall will provide a proper surface to place the INVISI-ball Wall Mount. This is to be done if a stud is not located where you are locating the holes for the mount.

**Step 5:** Using a power drill or screwdriver, screw the screws (provided) into the wall or drywall anchors. Be sure to leave enough room to slide the INVISI-ball Wall Mount bracket up and down using the keyhole slot.

**Step 6:** Guide the flanges of the (long) laces wire under the lateral (short) laces on the top of the football (see Fig. 2)

**Step 7:** After the laces wire has been engaged with the football (Fig. 3), place the "U"-shaped portion of the laces wire into the back of the INVISI-ball Wall Mount bracket in the slot provided. (See Fig.4)

**Step 8:** Rotate the football upward in order to view screw heads and then place the INVISI-ball Wall Mount bracket onto the screws and slide the bracket down as shown (Fig. 5). Once this has been done, allow the football to rotate back down and come into contact with the mounting bracket.

**NOTE:** It is possible that the football might come into contact with only one, two, three, or possibly none of the mounting fingers on the mounting bracket. The rigidity of the wire is more than enough to sufficiently support the weight of the football and keep it in the upright vertical orientation. The clear INVISI-band application is covered in the next section, and is used in this orientation only if the user desires a more secure mounting of the ball.

**Step 9:** Step back and view your newly mounted collectible football as it appears to be suspended next to the wall without support as the INVISI-ball Wall Mount is now hidden from view by the football.

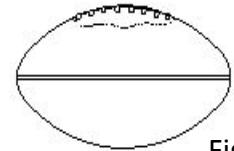


Fig. 1

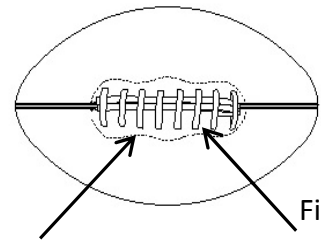


Fig. 2

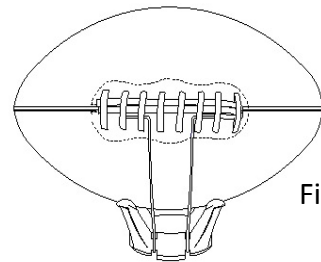


Fig. 3

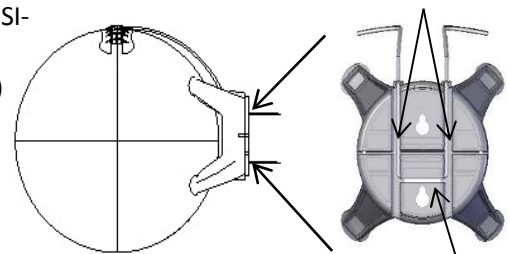


Fig. 4

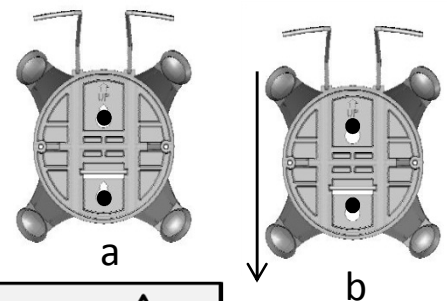


Fig. 5



## Materials included in INVISI-ball Wall Mount

### package:

- INVISI-ball Mounting bracket - 1
- INVISI-ball laces wire (long) - 1
- INVISI-ball laces wire (short) - 1
- INVISI-band (clear) - 1
- Drywall mount - 2
- Screws - 2



# INVISI-BALL<sup>®</sup> WALL MOUNT

...keeps your eye on the ball!<sup>®</sup>

US FOOTBALL  
NFL / COLLEGE FOOTBALLS

## MOUNTING INSTRUCTIONS



**INSTRUCTIONAL VIDEO** : <https://www.youtube.com/watch?v=Do0AQGzoDPs>

**TOOLS NEEDED:** Tape measure, Pencil, Power Drill, Screwdriver, 3/16" drill bit, Hammer

**NOTE:** For optimum mounting results, please keep all balls properly inflated.

### MOUNTING INSTRUCTIONS FOR INVISI-ball Wall Mount (Option 2)

**Hanging a football at multiple angles** – see Fig. 6.

\*\*\* INVISI-ball recognizes that although many angles of mounting a football can be achieved using the INVISI-ball Wall Mount, we recommend **not exceeding a 45 degree deviance** from the horizontal mounting application described above in Option 1 \*\*\*

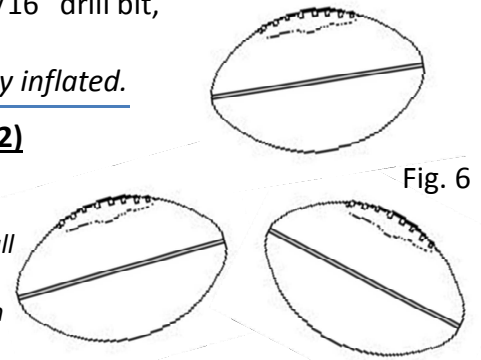


Fig. 6

**Step 1:** Place the football in the INVISI-ball Wall Mount in the same fashion as noted in steps 1 through 9 mentioned in the section for Option 1: mounting a football in the horizontal plane.

**Step 2:** Starting from the back of the mounting bracket, carefully guide the INVISI-band into the slot provided (Fig. 7). Make sure that the thermally fused joint is located on the back side of the ball that is being displayed – preferably within the slot in the mounting bracket (Fig. 7). Carefully stretch the INVISI-band (clear) around the football (Fig. 8) from the back to the front – do not stretch the band too much as it may lose its elasticity if over-stressed. Guide the INVISI-band into the seam of the football – do not roll the band.

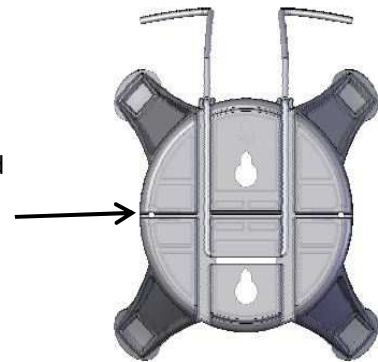


Fig. 7

**NOTE:** This combination if using the rigid laces wire and the clear INVISI-band will hold the ball firmly against the mounting bracket, thus allowing the user to mount the football at multiple angles as illustrated. Use the mounting rotation chart on the back page as a guide for mounting at specific angles.

The INVISI-band is not clearly seen since it is engaged around the seam of the football. This continues to give the illusion that the ball is hovering or stuck to the wall.

**Step 3:** Carefully locate screw heads and then place the INVISI-ball Wall Mount bracket onto the screws and slide the bracket down at the proper angle to secure the bracket to the wall.

**Step 4:** Step back and view your newly mounted collectible football as it appears to be suspended next to the wall without support as the INVISI-ball Wall Mount is now hidden from view by the football – now at multiple angles!

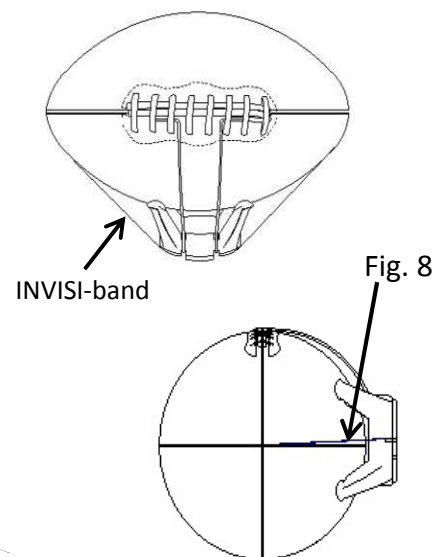
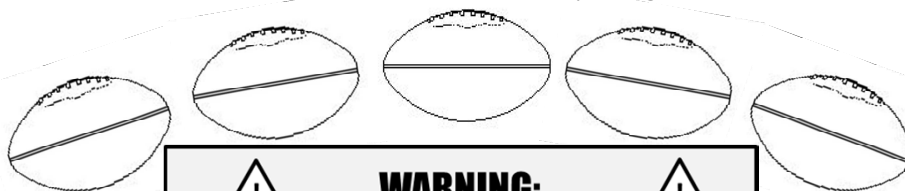


Fig. 8

Footballs can be mounted at multiple angles...



### WARNING:



**CHOKING HAZARD** – Small parts not for children under 3 years  
Or any individuals who have a tendency to place inedible objects  
In their mouths.

## Materials included in INVISI-ball Wall Mount

### package:

- INVISI-ball Mounting bracket - 1
- INVISI-ball laces wire (long) - 1
- INVISI-ball laces wire (short) - 1
- INVISI-band (clear) - 1
- Drywall mount - 2
- Screws - 2



# INVISI-BALL® WALL MOUNT

...keeps your eye on the ball!®

US FOOTBALL  
NFL / COLLEGE FOOTBALLS

## Mounting Instructions



**INSTRUCTIONAL VIDEO:** <https://www.youtube.com/watch?v=Do0AQGzoDPs>

**TOOLS NEEDED:** Tape measure, Pencil, Power Drill, Screwdriver, 3/16" drill bit, Hammer

**NOTE:** For optimum mounting results, please keep all balls properly inflated.

### Mounting Instructions for INVISI-ball Wall Mount (Option 3)

**Hanging a football displaying the lower panel** – see Fig. 9.

\*\*\* for footballs that have a signature on the lower panel of the ball\*\*\*

**Step 1:** Find a desired location where you would want to mount the football on the wall.

**Step 2:** Place the INVISI-ball wall mount component against the wall at the desired position including desired height from floor. Please note that the wall mount component must be facing in the "UP" direction as noted on the wall mount. Optionally, a stud sensor may be used to locate a wood stud to reduce the need for a dry wall anchor.

**Step 3:** Mark with a pencil the desired location for your football to be hung.

**Step 4:** If applying screws directly through the wall and into a stud, drill a small pilot hole to help guide the screw into the wall/stud. If using the drywall anchors - take a 3/16" (5mm) drill bit and drill a hole where the pencil marks have been made in step 3 and add drywall anchors. Taking a hammer and lightly tapping the anchors flush with the wall will provide a proper surface to place the INVISI-ball Wall Mount. This is to be done if a stud is not located where you are locating the holes for the mount.

**Step 5:** Using a power drill or screwdriver, screw the screws (provided) into the wall or drywall anchors. Be sure to leave enough room to slide the INVISI-ball Wall Mount bracket up and down using the keyhole slot.

**Step 6:** Guide the flanges of the (short) laces wire under the lateral (short) laces on the top of the football (see Fig. 10)

**Step 7:** After the laces wire has been engaged with the football (Fig. 11), place the "U"-shaped portion of the laces wire into the back of the INVISI-ball Wall Mount bracket in the slot provided. (See Fig.12)

**Step 8:** Rotate the football upward in order to view screw heads and then place the INVISI-ball Wall Mount bracket onto the screws and slide the bracket down as shown (Fig. 13). Once this has been done, allow the football to rotate back down and come into contact with the mounting bracket.

**NOTE:** It is possible that the football might come into contact with only one, two, three, or possibly none of the mounting fingers on the mounting bracket. The rigidity of the wire is more than enough to sufficiently support the weight of the football and keep it in the upright vertical orientation.

**Step 9:** Step back and view your newly mounted collectible football as it appears to be suspended next to the wall without support as the INVISI-ball Wall Mount is now hidden from view by the football.



Fig. 9

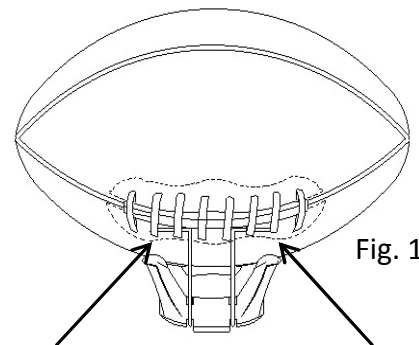


Fig. 10

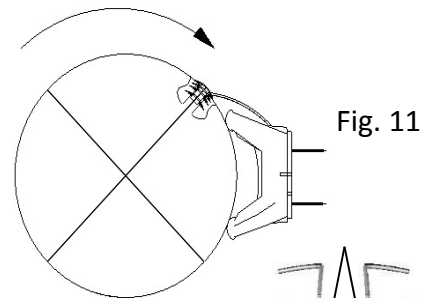


Fig. 11



Fig. 12

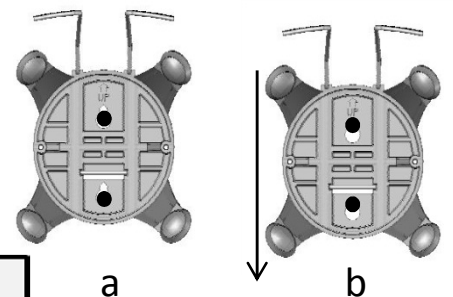


Fig. 13



### WARNING:



**CHOKING HAZARD** – Small parts not for children under 3 years  
Or any individuals who have a tendency to place inedible objects  
In their mouths.

**Materials included in INVISI-ball Wall Mount package:**

- INVISI-ball Mounting bracket - 1
- INVISI-ball laces wire (long) - 1
- INVISI-ball laces wire (short) - 1
- INVISI-band (clear) - 1
- Drywall mount - 2
- Screws - 2



# INVISI-BALL<sup>®</sup>

## WALL MOUNT

*...keeps your eye on the ball!<sup>®</sup>*

US FOOTBALL  
NFL / COLLEGE FOOTBALLS

# MOUNTING INSTRUCTIONS





**INSTRUCTIONAL VIDEO:** <https://www.youtube.com/watch?v=Do0AQGzoDPs>

**U.S. PATENT**  
= 9,119,485 =

Football Wall Mount Assembly

**WARNING:**

 **CHOKING HAZARD** – Small parts not for children under 3 years  
Or any individuals who have a tendency to place inedible objects  
In their mouths.

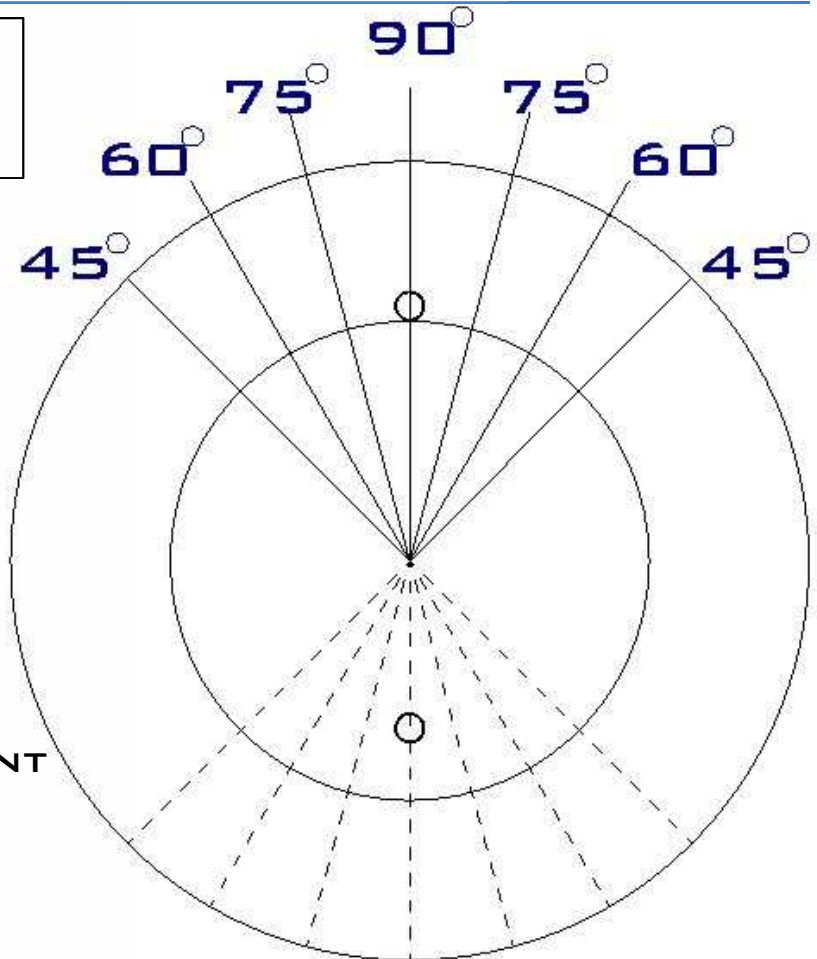


**U.S. PATENT**  
= 9,320,371 =

Methods for Mounting Footballs

USE THE  
**MOUNTING ROTATION CHART**  
TO THE RIGHT AS A GUIDE FOR  
MOUNTING AT THE ANGLES SHOWN...

Use this chart to align the keyholes on the backside of the INVISI-ball Wall Mount mounting bracket for mounting footballs at multiple angles. See page 2 in this manual **“MOUNTING INSTRUCTIONS FOR INVISI-ball Wall Mount (Option 2) - Hanging a football at multiple angles”**



**INVISI-BALL WALL MOUNT**  
P.O. Box 2198  
APEX, NC 27502  
919-817-1487

01/2017

**INVISI-BALL<sup>®</sup>**  
WALL MOUNT

[WWW.INVISI-BALL.COM](http://WWW.INVISI-BALL.COM)

*...keeps your eye on the ball!<sup>®</sup>*